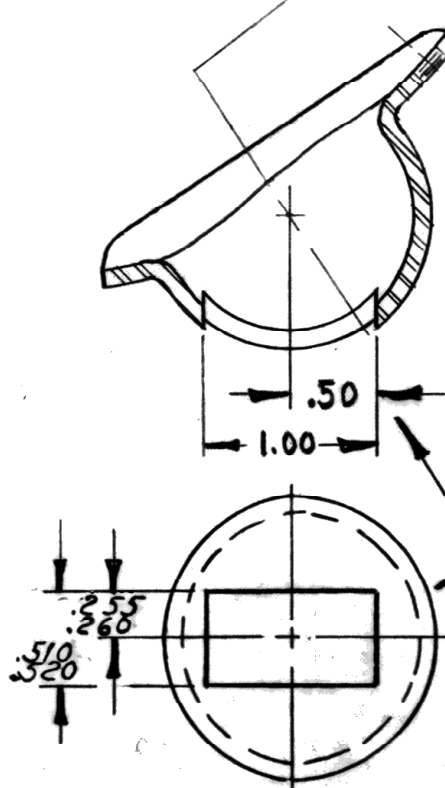
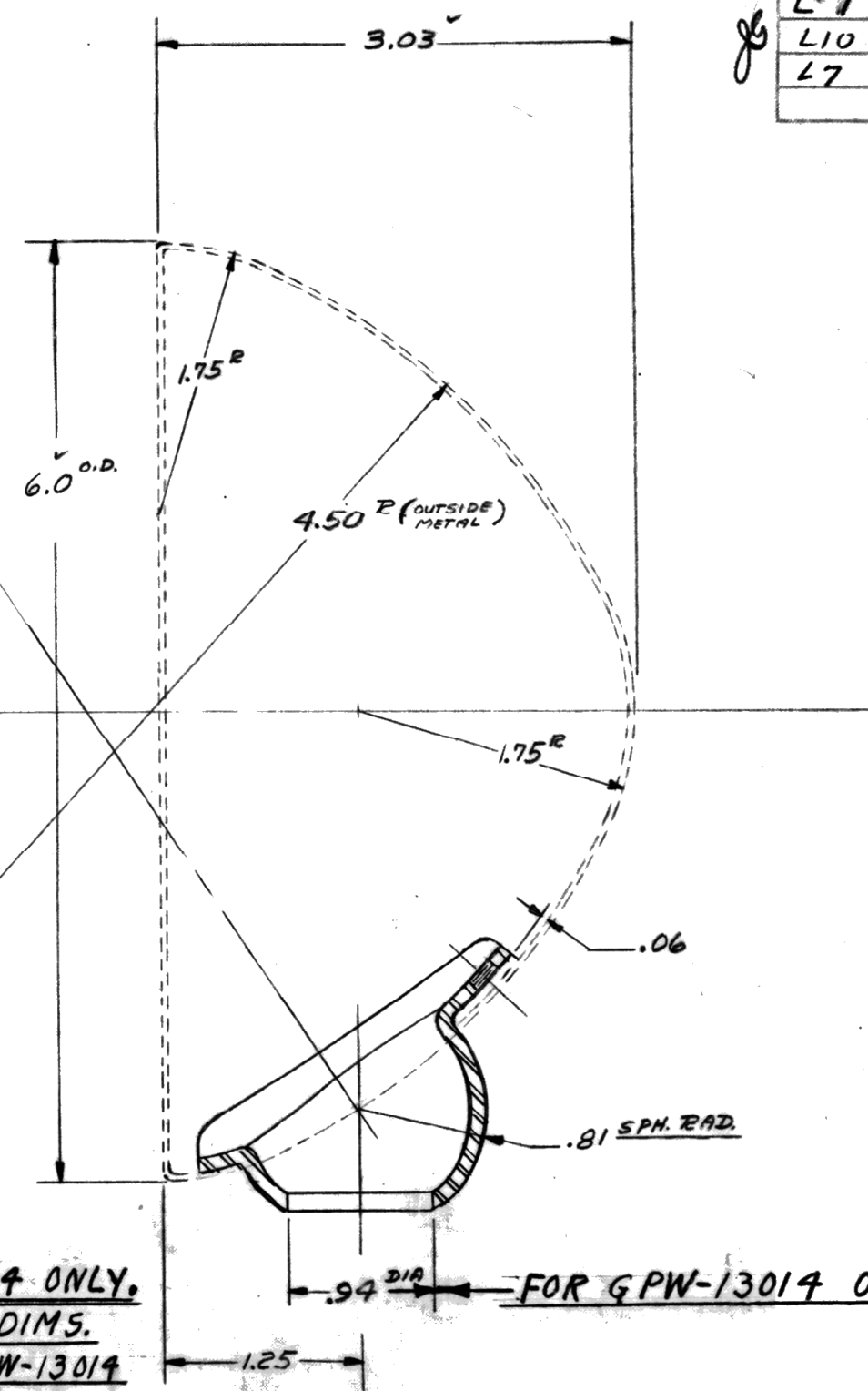
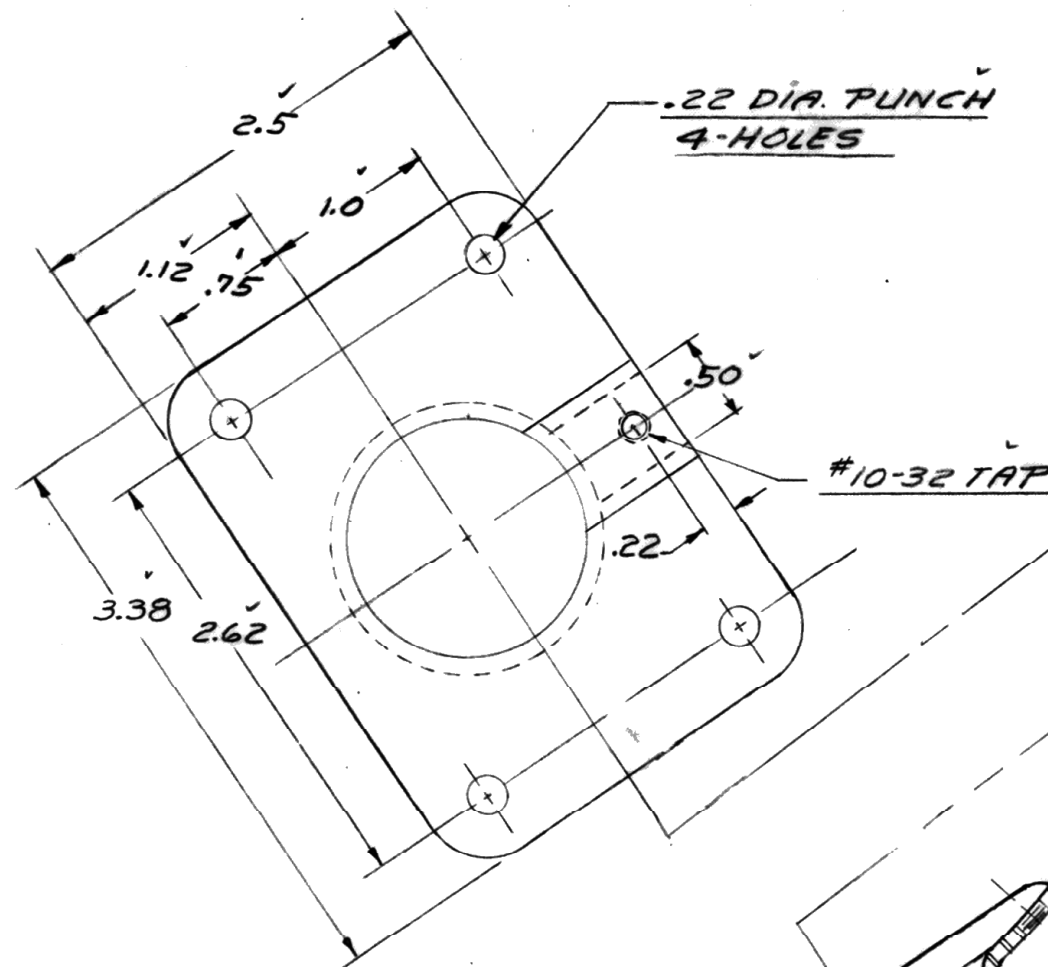


DRWG. STARTED	12-20-41		
DRWG. COMPLETED	12-20-41		
ENG. INF	SUPP.	REVISED	CK.
L-10	#69	12-30-41	
L-7	#133	10-1-43	
L10	1397	11-12-43	
L7	168	1-21-44	



ZINC PLATE  
SPEC. P41A

FOR 2N-13014 ONLY.  
ALL OTHER DIMS.  
SAME AS GPW-13014

FOR GPW-13014 ONLY

MOUNTING BRACKET-HEADLAMP

H.R. LC. OH STEEL #13 USS GA (.093)

2N-13014  
GPW-13014

ALLOWABLE VARIATION ON DIMENSIONS CONTROLLING FINISHED SURFACES IS ±.010 UNLESS OTHERWISE SPECIFIED. ALL DIMENSIONS IN INCHES. CB-7929

DESIGN	SCALE	DRAWN BY	CK.	O.K.	FORD MOTOR CO.
	FULL	Godak			DEARBORN, MICH.

GPW-13014

13014

REP. UPT.	983
	1081
M	
SD	
LM	
DAG	
WFL	
WPA	
WPT	
WPL	
WCH	
WUM	
WAG	
WVA	
WCPK	
WBC	
WBA	
WJP	
WMT	
WTD	
	1101
	2N

Handwritten signature and initials.